

Woodlands Health Campus

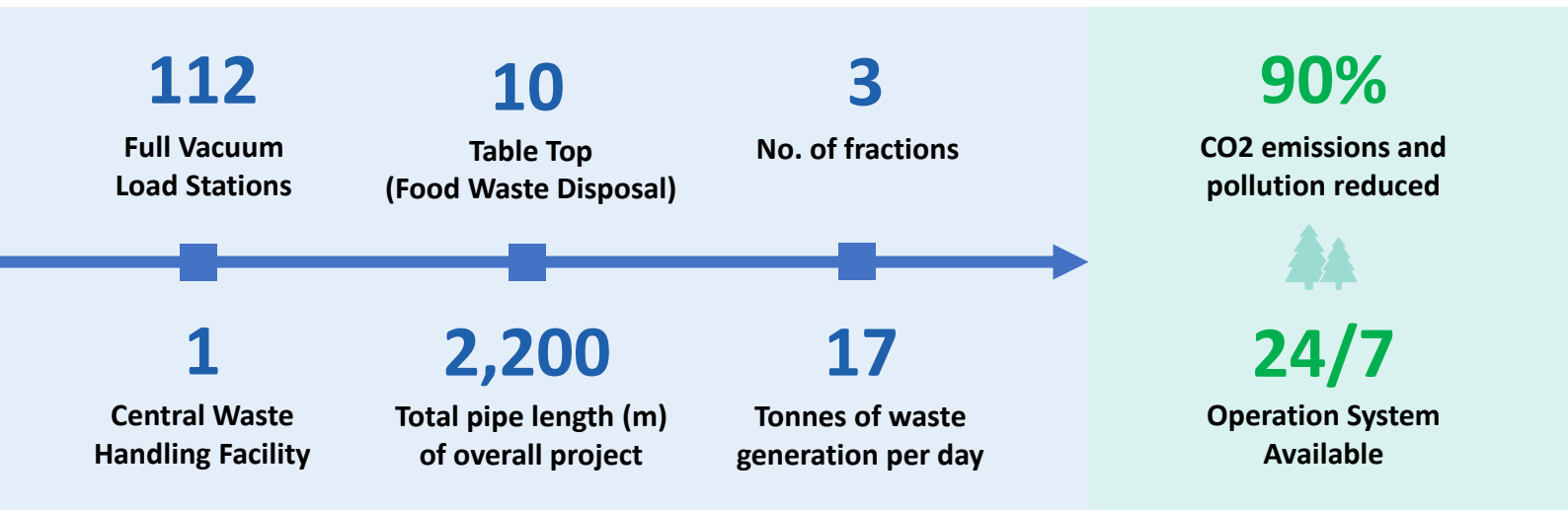
STREAM Automated Waste Collection System
in Singapore’s Newest Integrated Healthcare Hub.



ABOUT PROJECT

Woodlands Health Campus (WHC) stands as a transformative healthcare hub on 7.66 hectares of land, equivalent to about 11 football fields. With a phased development plan, it is designed to accommodate up to 1,800 beds. Embracing innovation, WHC aims to reshape healthcare delivery using SMART technology.

STREAM proudly partnered with the Ministry of Health Singapore to seamlessly integrate the Automated Waste Collection System (AWCS) at WHC, pioneering sustainable waste management in healthcare.



Enhanced efficiency of 3 types of waste handling, allowing:

- **Operational Agility:** Enhances operational flexibility by efficiently managing municipal solid waste, linen, and food waste, allowing WHC to adapt to evolving waste disposal needs with ease.
- **Sustainable Practice:** Minimizes carbon emissions and environmental impact, aligning with a commitment to sustainability and eco-conscious practices in healthcare waste management.
- **Hygienic Standards:** The AWCS upholds stringent hygienic standards by minimizing manual handling of waste, ensuring a cleaner and safer environment for patients, staff, and visitors.
- **Cost-Efficiency:** AWCS implementation at WHC optimizes resource utilization, reducing operational costs associated with waste management across diverse waste streams.



MINISTRY OF HEALTH
SINGAPORE

PROJECT OVERVIEW

Location: Singapore

Developer: Singapore Ministry of Health

Project Startup: 2018

Project Completion: 2021

Size of Development: 7.66 ha

AWCS Type: Full Vacuum System

Total Pipe Length: 2,200 m

No. of Fractions: 3 (General waste, food waste, linen)

Capacity: 17 metric ton/day



2023 - Integrated Acute and Community Hospital



Table Top – For disposal of food waste, equipped with In-Sinkerator for effective waste grinding.



Food Waste Composter/Digester – Food waste undergoes process to be form into compostable material.



Linen Collection – Fabric items used in healthcare is collected & temporarily stored.

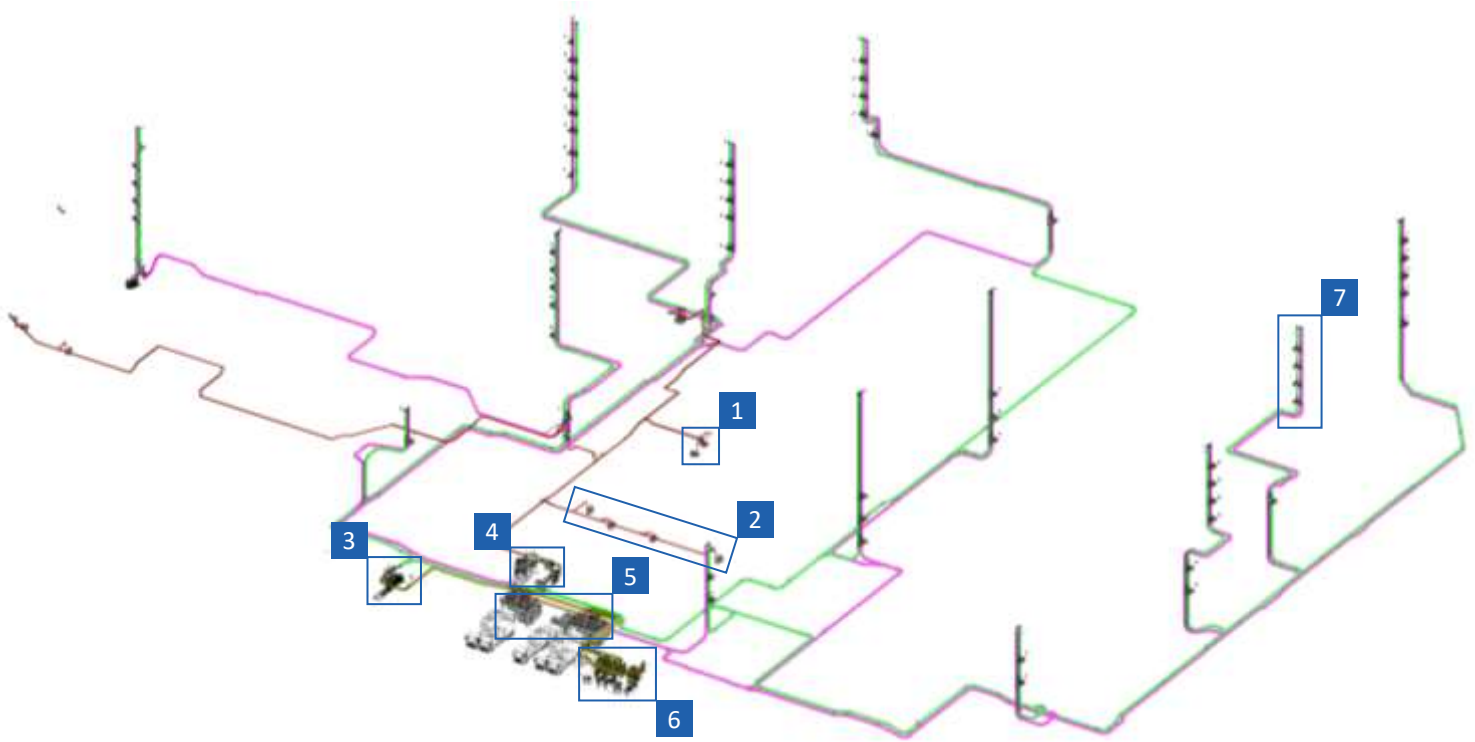


Compactor container – Larger load of general & recyclable waste collected into air-tight sealed container.

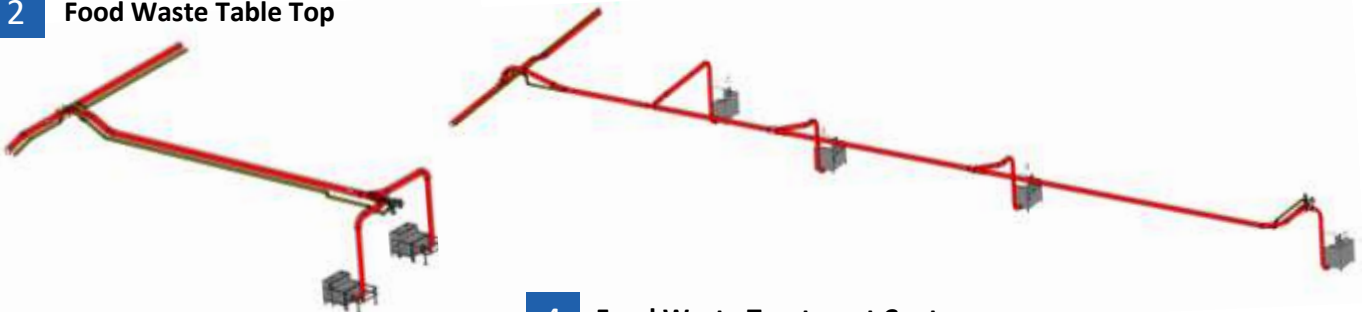


AUTOMATED WASTE COLLECTION SYSTEM

Overall View of AWCS at Woodlands Health Campus



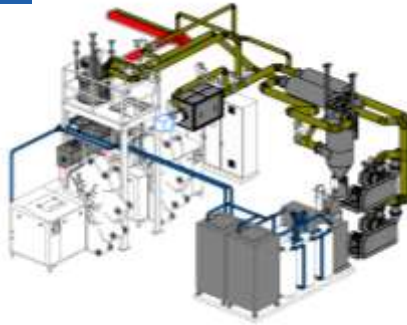
1 & 2 Food Waste Table Top



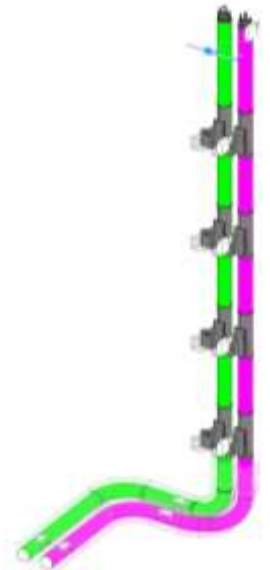
3 Linen Collection Centre



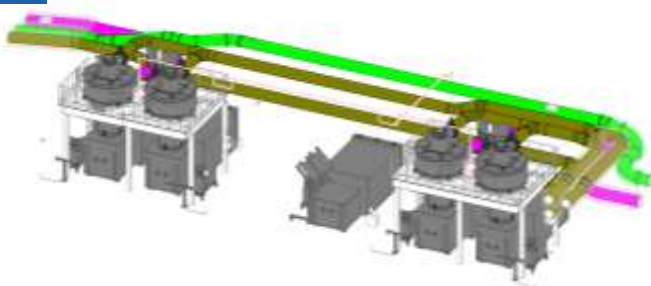
4 Food Waste Treatment Centre



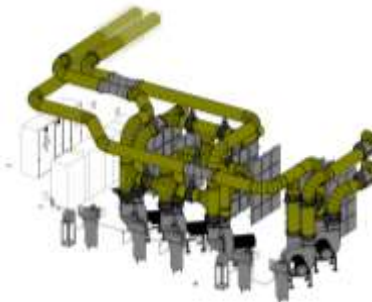
7 General & Recyclable Loading Stations



5 Central Waste Handling Facility



6 Centrifugal Fan Room



AUTOMATED WASTE COLLECTION SYSTEM